

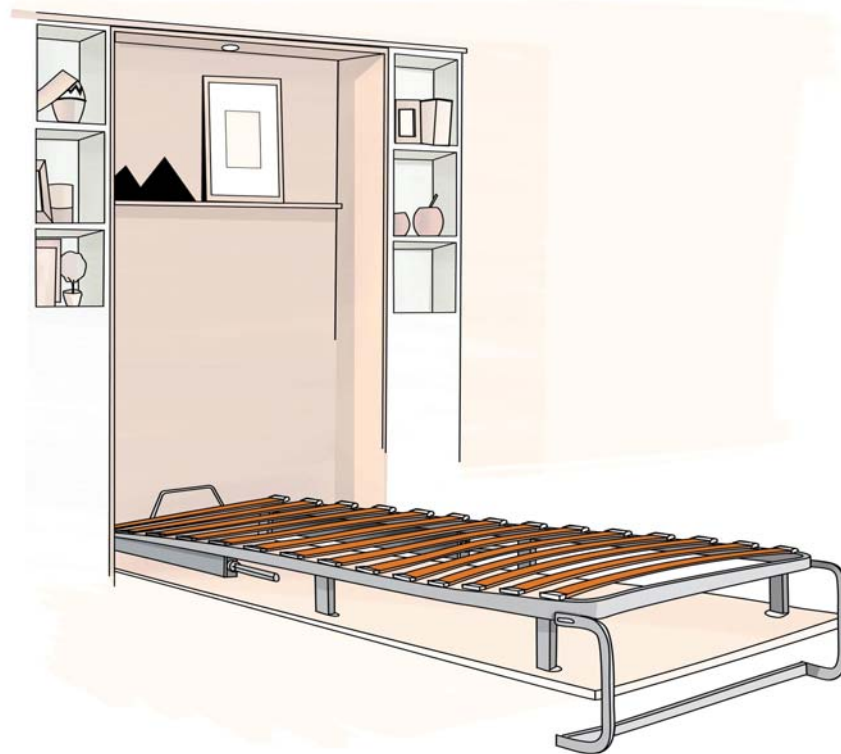
# **SELBY** Wall Bed Systems

Featuring world Famous PARDO wall bed mechanisms

## **STEEL FRAME WALL BED SYSTEM**

Cambered Beech Slats in molded hard rubber retainers Attached to a tubular steel frame

**Model: XCMVOBTSPLIT**



## **ASSEMBLY INSTRUCTIONS**

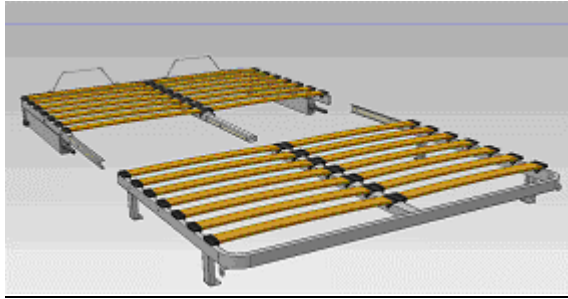
Selby Furniture Hardware Company  
321 Rider Avenue  
Bronx NY 10451  
Call - 718-993-3700  
Canada Call - 514-355-5185

[www.selbybed.com](http://www.selbybed.com)

FAX - 718-993-3143  
Canada FAX - 514-355-4686

# **SELBY** Furniture Hardware Company

CMVOBT Twin, Double, Queen and King foldaway bed system with metal frame and Tabloflex Foundation of Beech slats and hard rubber retainers, with manual folding foot for cabinets



## System Components Included:

- 1 each two piece platform bed frame with manual leg & Tabloflex foundation
- 2 each counter balancer mechanisms
- 2 each mount plates
- 1 bag of hardware containing:
- 8 screws DIN 912 M6x25,
- 8 nuts DIN 934 M-6,
- 8 countersink bushings Ø12M X 8M
- 4 screws DIN 912 M8x12.

In any case of missing components, please contact your Selby Hardware Distributor.

The following notes are intended as a guide for the construction of cabinets for the foldaway (CMVOBT) bed frames and mechanisms. Due to the differences in cabinet making production and joinery techniques, it is suggested that a prototype cabinet is made using this guide, in order to tailor these instructions to suit your individual requirements.

## **Suggested Cabinet Dimensions**

1. For cabinet dimensions see dimension grid on page CMS Inst.3.
2. The cabinet should be made from 3/4" or 19mm thick panels
3. Cabinet widths are indicated on the grid on page 3 and the inside width must always be 60mm + 3mm -0mm wider than the bed frame to accommodate mechanisms.
4. Confirm bed frame width on receipt and build cabinetry to suit.

Our Pardo patented mechanisms can be adjusted to accommodate various door panel construction materials for the builder and seasonal bedding changes for the owner

Cabinet depth must be equal to or greater than the mattress thickness + 9" for door to close properly

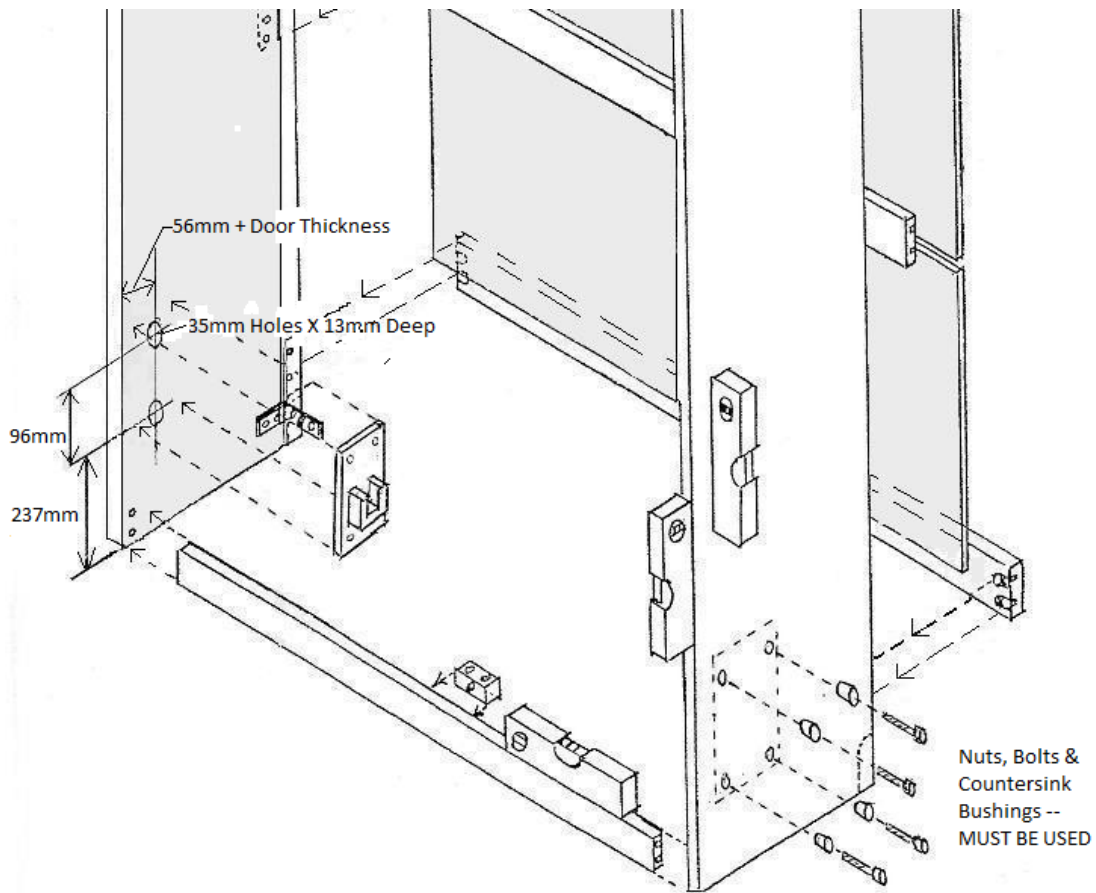
We highly recommend including a door stop and double ball catches in wall cabinets to insure proper positioning for a flush inset door.

Our Tablofix European foundation offers superior support for a superior sleep experience on any standard bed mattress from thin to thick and eliminates the need for additional "box springs".

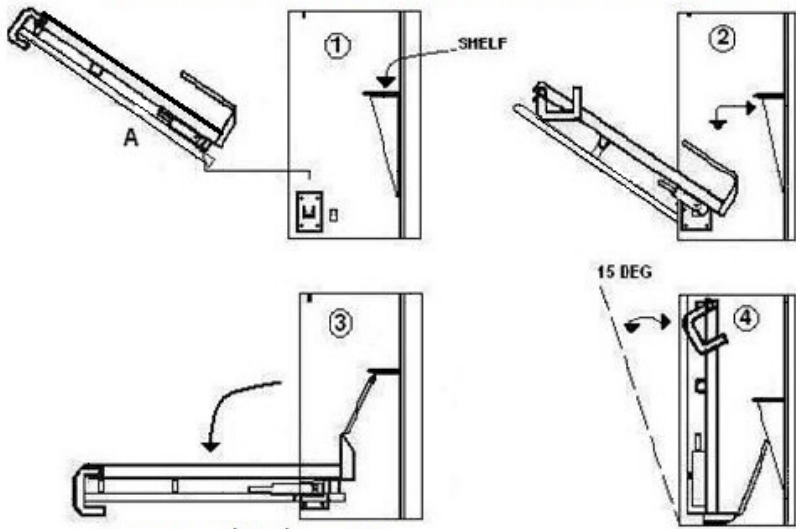
Type CM Wall Bed Systems detail for cabinet construction

<b>Width Dimensions</b>	Twin	Double	Queen	Eastern King
Bed Frame	39"	55-1/8"	59-3/64"	74-13/16"
Door Panel	41-3/32"	56-15/32"	61-3/16"	76-15/16"
Inside of Wall Cabinet	41-11/32"	56-11/16"	61-31/32"	77-11/64"
<b>Length Dimensions</b>				
Bed Frame	74-13/16"	74-13/16"	79-15/16"	79-15/16"
Door Panel	77-1/4"	77-1/4"	82-1/4"	82-1/4"
Cabinet Height	82-9/32	82-9/32	87-7/16"	87-7/16"
Toe Kick Height	4"	4"	4"	4"
Opening Height	77-17/32"	77-17/32"	82-5/8"	82-5/8"

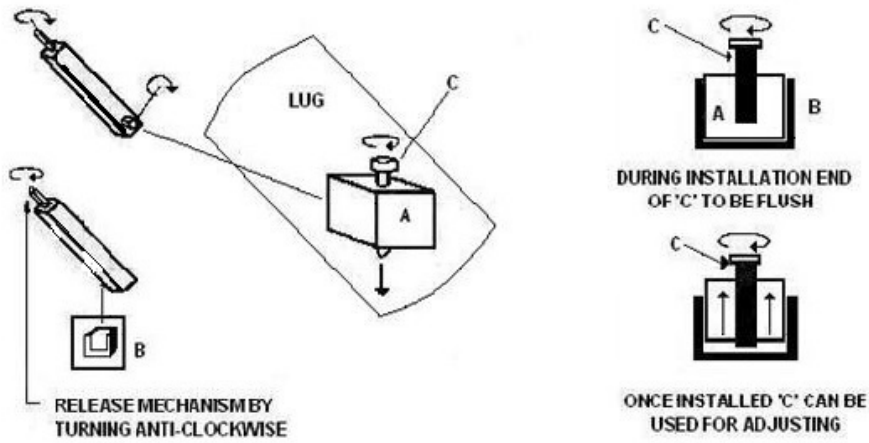
Use inside cabinet dimensions for space between side cabinets if pier & bridge cabinet design is employed



Install Platform into Cabinet with foot elevated to at least 45°. With Platform 15° from vertically closed use a 24mm Socket to adjust tension



Adjust tension with bed platform at 15° from vertical and with mattress in place  
Tighten tension screws on each side of bed progressively to maintain balance



Cabinet must be securely anchored to an architectural structural wall  
Cap Screw in square axel is used to adjust door reveal with a 6mm hex key as shown

